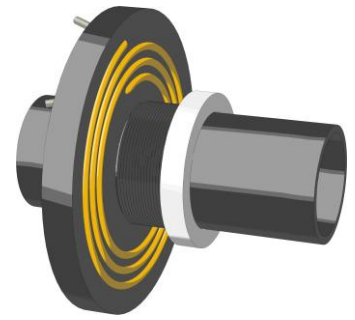


**Electr-O-Fuz™ Electro fusion Entry Penetration****Product Description**

Electr-O-Fuz™ Electro Fusion Entry Penetration is the only manufacturer to fluorinate its penetration in order to render it completely fuel resistant while allowing a total water/fuel seal due to the fusion of the penetration to the sump. The Electr-O-Fuz™ penetration is designed in such a way that the secondary double wall of the Petroplas pipe is also fused to the penetration making a total seal, thus providing unparalleled protection.

When used in conjunction with Frialen® electro fusion fuel fittings and a Friamat® electro fusion welder, it provides a UL compliant fuel installation with a 30 year warranty.

Electr-O-Fuz™ Electro Fusion Penetrations are available in sizes from 2½" and 4" nominal bore. With various electro fusion reducers these sizes will allow any single or double wall Petroplas pipe up to 3" DW to be installed. With special attachments can be fused to Fiberglass sumps and to concrete walls.

**Applications**

- Service stations
- Marina's
- Fuel Terminals
- Moist and marshy areas
- High Water Table Areas
- Harbors
- Airports
- Non-Contaminated and Contaminated sites

**Specifications**

- Penetration Type : Fluorinated PE Penetration with a 30 year design life and product warranty. Primary and secondary pipe come integrated on the coil, providing true containment. No ducting required.
- Connections : Electro fusion coil, using sump wall for extra structural bond strength, fluorinated, used in comp
- Interstitial space : Created with internal secondary stand off legs, which are not attached to primary pipe
- Monitoring : Ambient, pressure, vacuum or liquid fill
- Operating pressures
  - Primary : 50 psi
- Test pressure
  - Primary : 150 psi
- Approved Fuel Types : All Petroleum Products (Motor Vehicle Fuels, High Blend Fuels, Concentrated Fuels, Aviation & Marine Fuels)

**Installation**

Installation, use, and maintenance of all Petroplas® and Electr-O-Fuz™ products shall be in accordance with the manufacturer's recommendations, State and county approvals. In event of conflicts, the stricter requirement shall govern. (IPP installation manual available directly from IPP, or at [www.innovativepetroleum.com](http://www.innovativepetroleum.com))

**Certifications/Approvals**

- UL approved, File # MH45430 - Pending
- New York City Fire Dept. CoA 5117
- State of Florida EQ 683 and EQ 617 – and Derm Approval
- State of Michigan MUSTR – Rule 9, subsections 280.20 (b)

Note : specifications subject to change without notice  
MARCH 08